

GLASS PASSIVATED BRIDGE RECTIFIER
VOLTAGE RANGE 400 to 1000 Volts CURRENT 3.0 Amperes

FEATURES

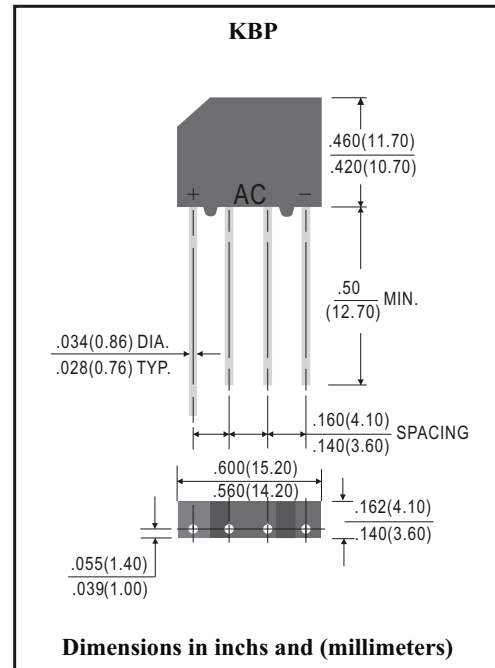
- ◆ Glass passivated chip
- ◆ Low Reverse Leakage Current
- ◆ High surge current capability

MECHANICAL DATA

- ◆ Case: plastic package
- ◆ Marking / Polarity: Marked on Body
- ◆ Weight: About 1.6 grams

MAXIMUM RATINGS AND ELECTRICAL CHARACTERISTICS

Ratings at 25 °C ambient temperature unless otherwise specified.
resistive or inductive load.



MAXIMUM RATINGS (@ TA=25 °C unless otherwise noted)

RATINGS	SYMBOL	KBP304	KBP306	KBP308	KBP310	UNITS
Maximum Recurrent Peak Reverse Voltage	V _{RRM}	400	600	800	1000	Volts
Maximum RMS Voltage	V _{RMS}	280	420	560	700	Volts
Maximum DC Blocking Voltage	V _{DC}	400	600	800	1000	Volts
Maximum Average Forward Rectified Current at T _A = 50 °C	I _O	3.0				Amps
Peak Forward Surge Current 8.3 ms single half sine-wave superimposed on rated load (JEDEC method)	I _{FSM}	80				Amps
Current Squared Time	I ² t	26.5				A ² /Sec
Typical Thermal Resistance (Note 1)	R _{θJC}	32				°C/W
Typical Junction Capacitance (Note 3)	C _J	25				pF
Operating and Storage Temperature Range	T _J , T _{STG}	-55 to + 150				°C

ELECTRICAL CHARACTERISTICS (@TA=25 °C unless otherwise noted)

CHARACTERISTICS	SYMBOL	KBP304	KBP306	KBP308	KBP310	UNITS
Maximum Instantaneous Forward Voltage at 2.0A DC	V _F	1.1				Volts
Maximum DC Reverse Current at Rated DC Blocking Voltage	@ T _A = 25 °C	5.0				uAmps
	@ T _A = 100 °C	500				

NOTES : 1. Thermal Resistance Junction to Ambient and from junction to lead at 0.375"(9.5mm) lead length P.C.B. Mounted.
2. "Fully ROHS compliant", "100% Sn plating (Pb-free)".
3. Measured at 1MHz and applied reverse voltage of 4.0 volts.

RATING AND CHARACTERISTICS CURVES (KBP304 THRU KBP310)

图1: I_o - T_a 曲线
FIG1: I_o - T_a Curve

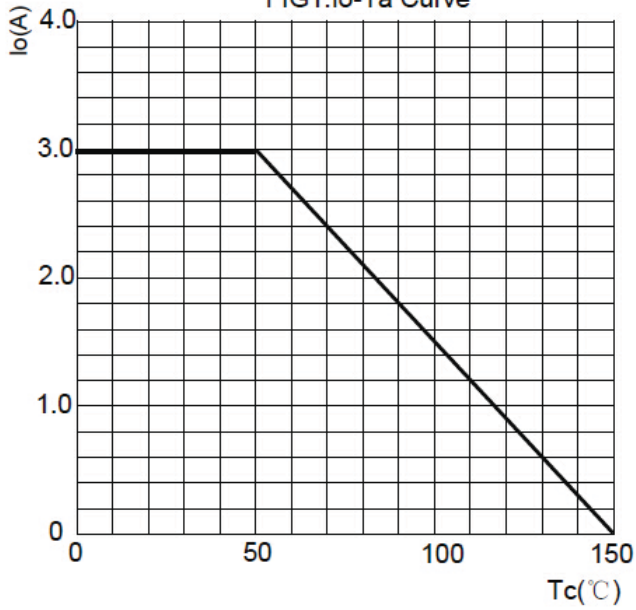


图2: 耐正向浪涌电流曲线
FIG2: Surge Forward Current Capability

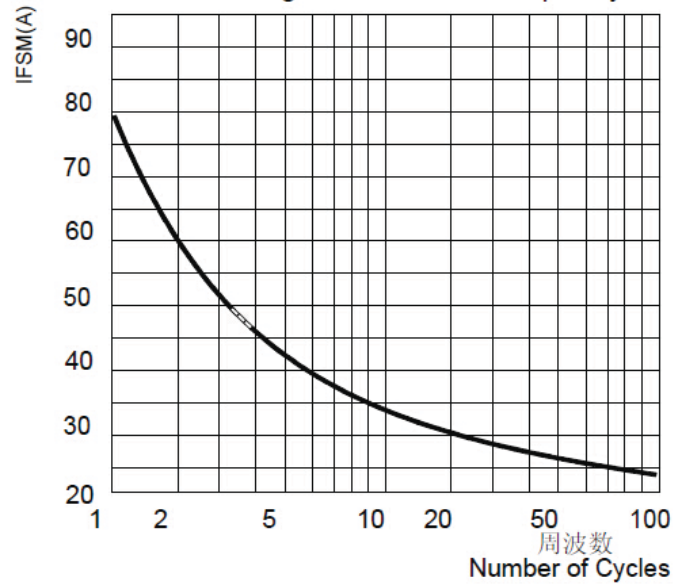


图3: 正向电压曲线
FIG3: Instantaneous Forward Voltage

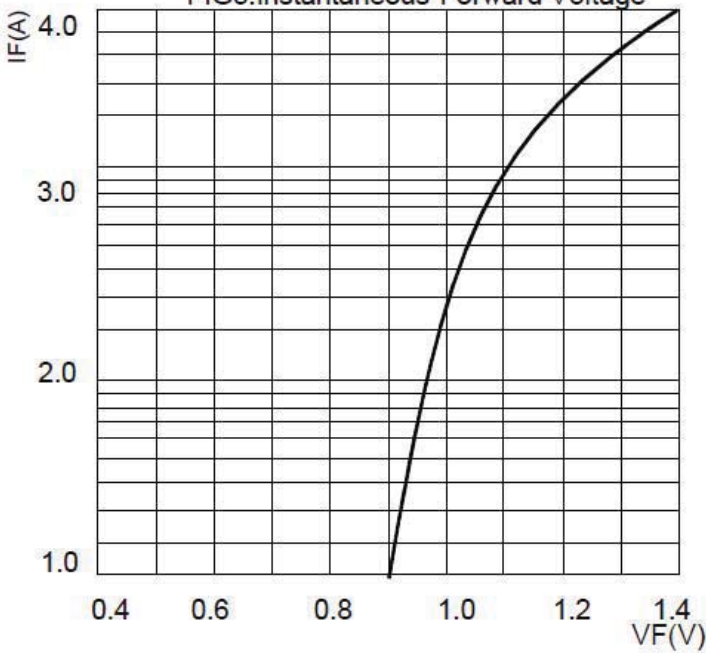
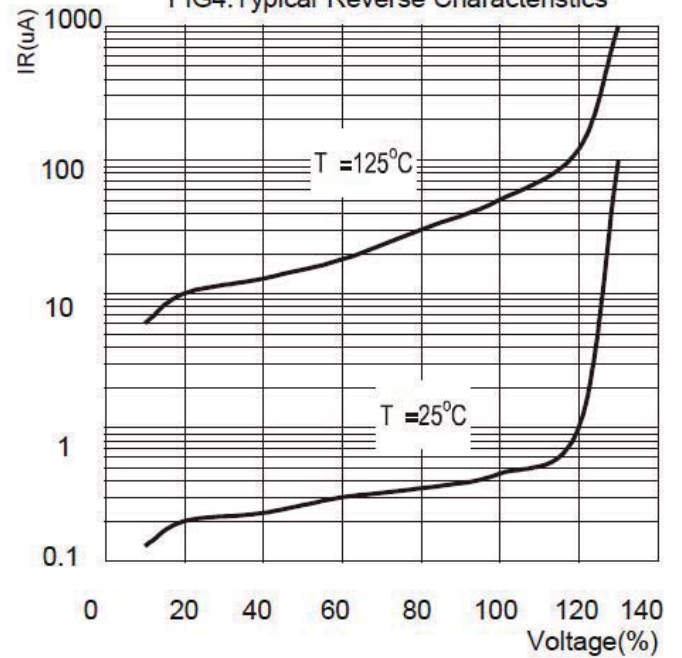
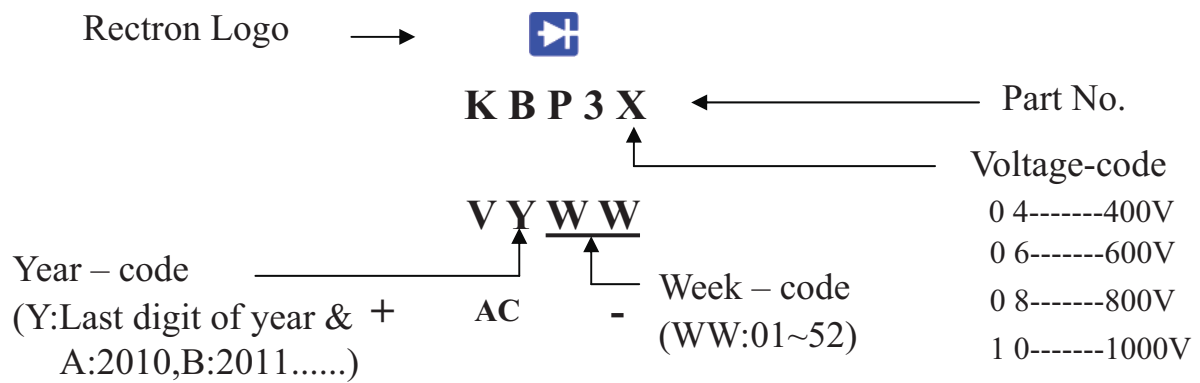


图4: 反向电流曲线
FIG4: Typical Reverse Characteristics



Marking Description



PACKAGING OF DIODE AND BRIDGE RECTIFIERS

TUBE PACK

PACKAGE	PACKING CODE	EA PER BOX	INNER BOX SIZE (mm)	CARTON SIZE (mm)	EA PER CARTON	WEIGHT(Kg)
KBP	-B	500	180*180*35	380*200*200	5,000	9.5

DISCLAIMER NOTICE

Rectron Inc reserves the right to make changes without notice to any product specification herein, to make corrections, modifications, enhancements or other changes. Rectron Inc or anyone on its behalf assumes no responsibility or liability for any errors or inaccuracies. Data sheet specifications and its information contained are intended to provide a product description only. "Typical" parameters which may be included on RECTRON data sheets and/ or specifications can and do vary in different applications and actual performance may vary over time. Rectron Inc does not assume any liability arising out of the application or use of any product or circuit.

Rectron products are not designed, intended or authorized for use in medical, life-saving implant or other applications intended for life-sustaining or other related applications where a failure or malfunction of component or circuitry may directly or indirectly cause injury or threaten a life without expressed written approval of Rectron Inc. Customers using or selling Rectron components for use in such applications do so at their own risk and shall agree to fully indemnify Rectron Inc and its subsidiaries harmless against all claims, damages and expenditures.